

made in TURKEY

MDSJ  PROSES

PNEUMATIC TRANSPORT EQUIPMENT

# SSV HOPPER SAFETY VALVE

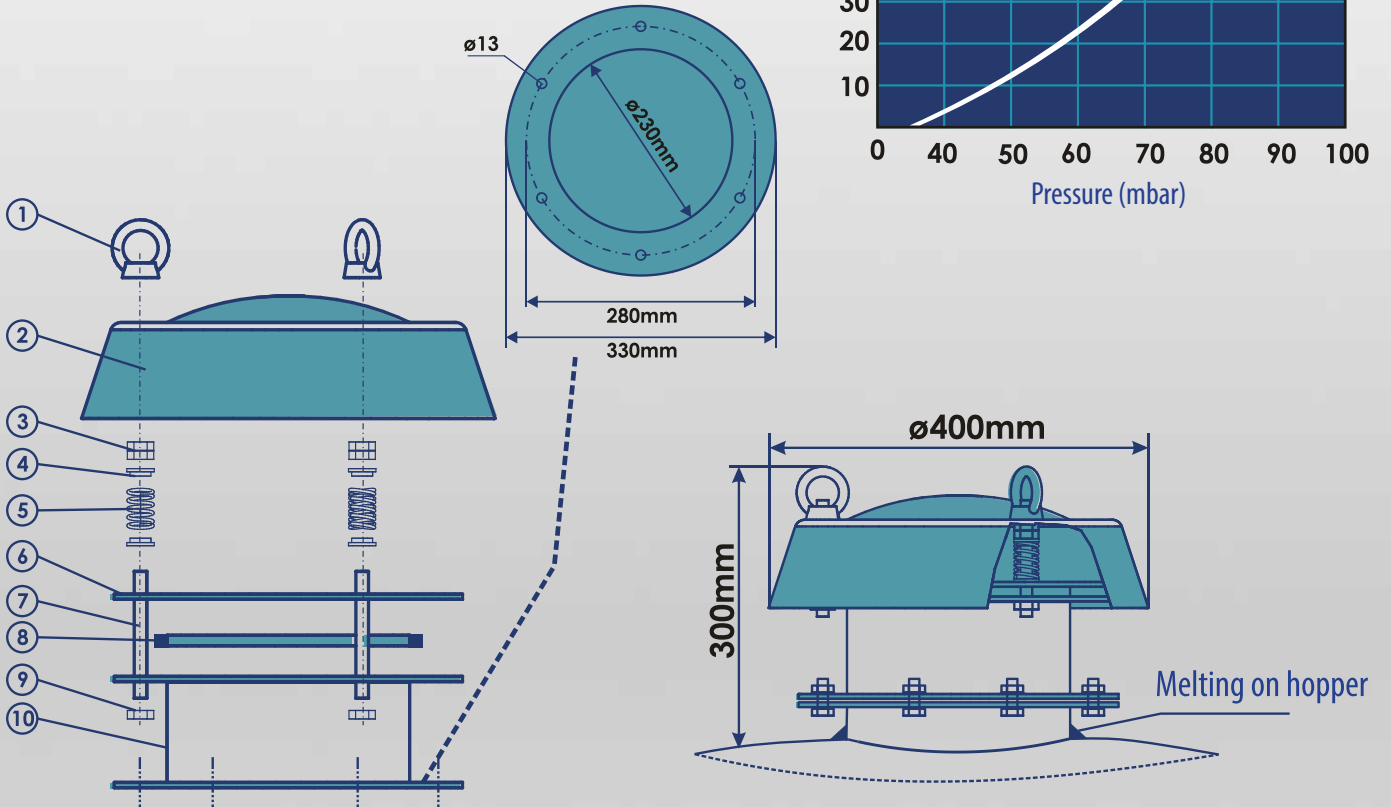
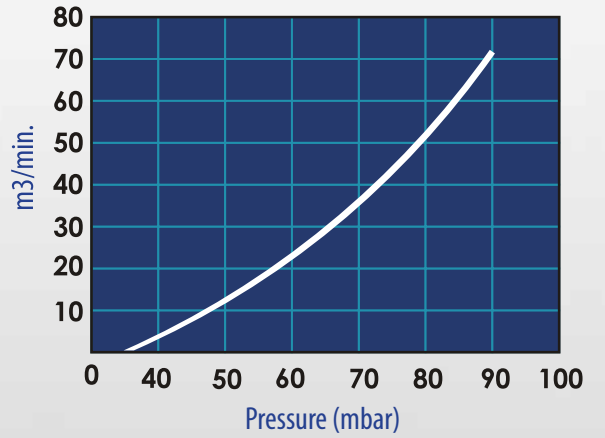


MANUFACTURING / INSTALLATION

ENGINEERING / PROJECT

## SSV HOPPER SAFETY VALVE:

A type of safety equipment, which is used for safe discharge of positive air pressure in raw materials, transported to storage hoppers, bunkers or filling tanks by way of pneumatic transport systems or other equipment. Pressure range may be easily adjustable with spring mechanism and increases in positive pressure levels may be controlled without any difficulty.



|     | NAME OF PIECE  | REMARK              | NUMBER | CODE NO    |
|-----|--|---------------------|--------|------------|
| 1.  | M12 Eyebolt  | GG22 Casting        | 3      | SSV-200-01 |
| 2.  | Top Cover  | Aluminum            | 1      | SSV-200-02 |
| 3.  | M12 Lock Nut   | Galvanized Coating  | 6      | SSV-200-03 |
| 4.  | Bearing  | Brass               | 6      | SSV-200-04 |
| 5.  | Spring-interior $\varnothing 20$ x exterior $\varnothing 26$ x H50mm | St 42 -Spring Steel | 3      | SSV-200-05 |
| 6.  | Positive Pressure Cap  | St 37               | 1      | SSV-200-06 |
| 7.  | M12 x 130 Stud   | St 37               | 3      | SSV-200-07 |
| 8.  | Rubber Seal  | 15 x 15mm           | 1      | SSV-200-08 |
| 9.  | M12 Nut  | 101                 | 3      | SSV-200-09 |
| 10. | Body   | St 37               | 1      | SSV-200-10 |

### Areas of Use:

1. Coal
2. Cement
3. Calcite
4. Dolomite
5. Soda
6. Sand
7. Metal Dust
8. Feldspar
9. Kaolin
10. Plaster
11. Lime etc.

The sizes given are for informative purposes and may not be used in manufacturing. For detailed information, contact with MDSJ.

Mecidiyeköy İş Merkezi ŞİŞLİ / İSTANBUL - TÜRKİYE  
 90 (212) 356 78 70 - 71 90 (212) 356 71 55 (Fax)  
[mdsj@mdsj.com.tr](mailto:mdsj@mdsj.com.tr)