

PNEUMATIC TRANSPORT EQUIPMENT

TA-45/90 STRIPY SEPARATOR

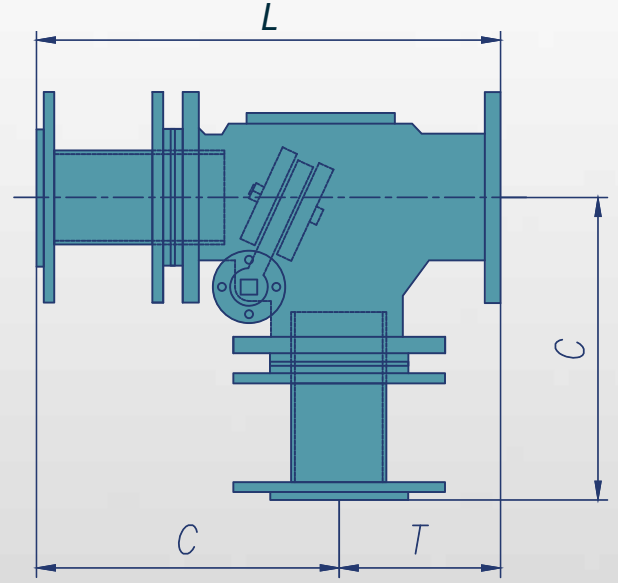


45° and 90° are alternative productions.

TA-45/90 STRIPY SEPARATOR

DESIGN

- Piston or pneumatic actuator
- 2" - 8" dimensions
- Right or left mounting
- 45°-90° diverter foot
- Cast iron or steel construction
- Transfer pressure 3 bar
- Standard flange
- 450 °C High temperatures
- Abrasion resistant design
- Explosion proof optional



OPERATION

TA two-way pipeline valve makes positive and reliable material traffic possible. Flow in pressure pneumatic transport pipelines is used for a high number of products including cement, lime, bentonite, barite and ash convenient for various operations.

The sizes given are for informative purposes and may not be used in manufacturing. For detailed information, contact with MDSJ.

TA-45/90 STRIPY SEPARATOR			
TYPE	L	C	T
DN50	480	330	150
DN60	480	330	150
DN80	500	340	190
DN100	550	375	195
DN125	600	380	210
DN150	660	450	210
DN200	700	500	220

PARTICULARS

- **General:** Type TA-45/90 two-way valve is available. Five standard sizes; 2 and 8 inches (200 mm over 50) standard.
- **Body:** Cast iron or steel construction.
- **Piston or Pneumatic Actuator:** controller,
- **Air:** 220V selenoid valf,
- **Accessories:** Limit switches, position indicator, optional manual valves.
- **Special Operation:** High temperature 450°C, alternative materials, strains.